



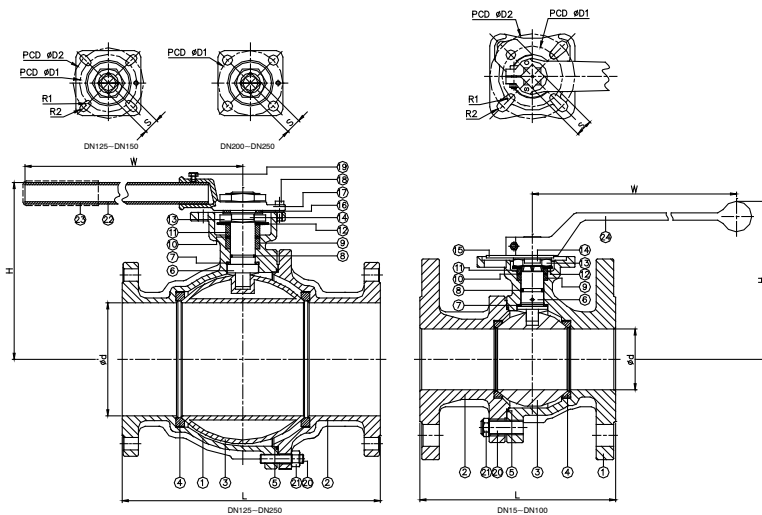
2-PC. FLANGED END BALL VALVE

2020D

FEATURES



- Full port, 1/2"~10" (DN15~DN250)
- W.P. : CLASS 150/300
- W.T. : -20°C~200°C (-4°F~392°F)
- Investment casting
- Blow-out proof stem
- Live-loading design
- Anti-static device
- Locking device
- ISO 5211 direct mounting pad
- **API 607 Fire safe approved**
- **API 608 Design**
- **ISO 15848 fugitive emission approved (option)**
- **Automation accessories (option)**



ITEM	PARTS	MATERIAL	
1	BODY	ASTM A351-CF8M	ASTM A216-WCB
2	CAP		
3	SOLID BALL	ASTM A351-CF8M	
	HOLLOW BALL	ASTM A240-316	
4	SEAT	PTFE / RTFE / TFM 1600	
5	SEAL	GRAPHITE / 316+GRAPHITE	
6	STEM	ASTM A276-316	
7	THRUST WASHER	CTFE	
8	O-RING	VITON	
9	PACKING A	GRAPHITE	
10	PACKING B	CTFE	
11	GLAND RING	AISI 304	
12	BELLEVILLE WASHER	AISI 301	
13	STEM NUT		
14	LOCKING DEVICE		
15	LOCKING WASHER		
16	FLAT WASHER		
17	HANDLE HEAD	AISI 304	
18	STOP PIN		
19	BOLT		
20	STUD		
21	NUT		
22	STEEL TUBE		
23	HANDLE SLEEVE	PVC	
24	HANDLE	AISI 304	

* 5" UP SEAL : 316+GRAPHITE
 - ABOVE MENTIONED MATERIALS APPLY TO FIRE SAFE DESIGN
 - ISO 15848 DESIGN SHOULD REPLACE WITH PTFE SEAL & PACKING

DN	d	L		H		W		S	D1	D2	R1	R2	Torque (N-M)
		CLASS 150	CLASS 300	CLASS 150	CLASS 300	CLASS 150	CLASS 300						
15	15	108	140	85	84.5	190	197.5	9	36	42	2.75	2.75	5.2
20	20	117	152	89.5	94.5	190	197.5	9	36	42	2.75	2.75	8
25	24	127.5	165	94.2	99.5	190	197.5	11	42	50	2.75	3.5	12.5
32	30	140.5	178	97.9	105	190	197.5	11	42	50	2.75	3.5	14
40	38	165	190	120.9	124.5	235	247.5	14	50	70	3.5	4.5	24.5
50	50	178	216	129.9	129	235	247.5	14	50	70	3.5	4.5	32
65	64	190.5	241	156.3	154.5	325	340	17	70	102	4.5	5.5	38
80	76	203	282	163.3	165.5	325	340	17	70	102	4.5	5.5	45
100	98	229	305	190.9	188	325	340	22	102	125	5.5	6.5	55
125	125	356	-	232	-	743	-	27	102	125	5.5	6.5	160
150	150	394	403	230	253	743	743	27	102	125	5.5	6.5	250
200	200	457	-	312	-	840	-	36	140	-	8.5	-	470
250	250	533	-	350	-	1040	-	36	140	-	8.5	-	750

unit:mm

NPS	d	L		H		W		S	D1	D2	R1	R2	Torque (in-lb)
		CLASS 150	CLASS 300	CLASS 150	CLASS 300	CLASS 150	CLASS 300						
1/2"	0.59	4.25	5.51	3.35	3.33	7.48	7.78	0.35	1.42	1.65	0.11	0.11	46
3/4"	0.79	4.61	5.98	3.52	3.72	7.48	7.78	0.35	1.42	1.65	0.11	0.11	70.8
1"	0.94	5.02	6.5	3.71	3.92	7.48	7.78	0.43	1.65	1.97	0.11	0.14	110.6
1-1/4"	1.18	5.53	7.01	3.85	4.13	7.48	7.78	0.43	1.65	1.97	0.11	0.14	123.9
1-1/2"	1.5	6.5	7.48	4.76	4.9	9.25	9.74	0.55	1.97	2.76	0.14	0.18	216.8
2"	1.97	7.01	8.5	5.11	5.08	9.25	9.74	0.55	1.97	2.76	0.14	0.18	283.2
2-1/2"	2.52	7.5	9.49	6.15	6.08	12.8	13.39	0.67	2.76	4.02	0.18	0.22	336.3
3"	2.99	7.99	11.1	6.43	6.52	12.8	13.39	0.67	2.76	4.02	0.18	0.22	398.3
4"	3.86	9.02	12.01	7.52	7.4	12.8	13.39	0.87	4.02	4.92	0.22	0.26	486.8
5"	4.92	14.02	-	9.13	-	29.25	-	1.06	4.02	4.92	0.22	0.26	1416.1
6"	5.91	15.51	15.87	9.06	9.96	29.25	29.25	1.06	4.02	4.92	0.22	0.26	2212.7
8"	7.87	17.99	-	12.28	-	33.07	-	1.42	5.51	-	0.33	-	4159.8
10"	9.84	20.98	-	13.78	-	40.94	-	1.42	5.51	-	0.33	-	6638

unit:in



8F, No.201, Sec. 2, Tiding Blvd., Neihu District, Taipei City 114, Taiwan R.O.C.
 TEL: +886-2-2658-5800 FAX: +886-2-2658-2266 / 2799-7766

E-mail : haitima@seed.net.tw
<http://www.haitima.com.tw>