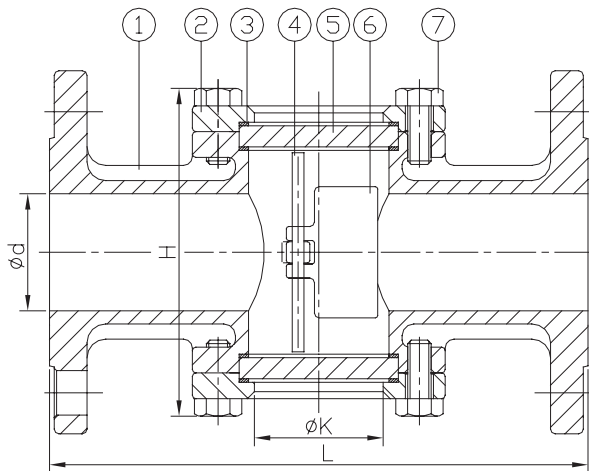




FEATURES



- 1/2"~6" (DN15~DN150)
- W.P. : PN16
CLASS 150
JIS 10K
- W.T. : -20°C~200°C (-4°F~392°F)
- Investment casting
- Face to face : DIN 3202 Part1-F1



ITEM	PARTS	MATERIAL		
1	BODY	ASTM A351-CF8M	ASTM A351-CF8	ASTM A216-WCB
2	CAP			
3	GASKET	PTFE		
4	STEM	AISI 316	AISI 304	
5	GLASS	GLASS		
6	INDICATOR	ASTM A351-CF8M	ASTM A351-CF8	ASTM A216-WCB
7	BOLT	AISI 304		CARBON STEEL

DN	d	L	CLASS 150 / JIS 10K		PN 16	
			H	K	H	K
15	15	130	115	35	100	40
20	20	150	115	35	100	40
25	25	160	115	35	100	40
32	32	180	143	55	125	50
40	40	200	143	55	125	50
50	50	230	143	55	125	50
65	65	290	185	85	167	85
80	80	310	196	85	180	85
100	100	350	228	110	210	110
150	150	480	310	160	280	150

unit:mm

NPS	d	L	CLASS 150 / JIS 10K		PN 16	
			H	K	H	K
1/2"	0.59	5.12	4.53	1.38	3.94	1.57
3/4"	0.79	5.91	4.53	1.38	3.94	1.57
1"	0.98	6.3	4.53	1.38	3.94	1.57
1-1/4"	1.26	7.09	5.63	2.17	4.92	1.97
1-1/2"	1.57	7.87	5.63	2.17	4.92	1.97
2"	1.97	9.06	5.63	2.17	4.92	1.97
2-1/2"	2.56	11.42	7.28	3.35	6.57	3.35
3"	3.15	12.2	7.72	3.35	7.09	3.35
4"	3.94	13.78	8.98	4.33	8.27	4.33
6"	5.91	18.9	12.2	6.3	11.02	5.91

unit:in