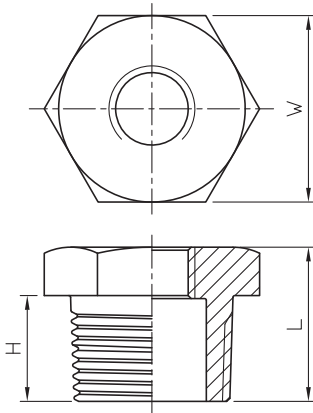


# Hexagon Bushing

# F12

## Class 150



1/8"~2" Hexagon  
2-1/2"~4" Octagon

### Standard Pattern

| SIZE   |      | H    |      | L    |      | W    |      |
|--------|------|------|------|------|------|------|------|
|        |      | mm   | in   | mm   | in   | mm   | in   |
| 1/4"   | 1/8" | 12.5 | 0.49 | 17   | 0.67 | 17   | 0.67 |
|        | 3/8" | 13   | 0.51 | 17.5 | 0.69 | 20   | 0.79 |
| 1/2"   | 1/4" | 13   | 0.51 | 17.5 | 0.69 | 20   | 0.79 |
|        | 1/8" | 16   | 0.63 | 22   | 0.87 | 25   | 0.98 |
|        | 3/8" | 16   | 0.63 | 22   | 0.87 | 25   | 0.98 |
| 3/4"   | 1/4" | 16   | 0.63 | 22   | 0.87 | 25   | 0.98 |
|        | 1/8" | 17   | 0.67 | 23   | 0.91 | 29.5 | 1.16 |
|        | 1/4" | 17   | 0.67 | 23   | 0.91 | 29.5 | 1.16 |
|        | 3/8" | 17   | 0.67 | 23   | 0.91 | 29.5 | 1.16 |
| 1"     | 1/2" | 17   | 0.67 | 23   | 0.91 | 29.5 | 1.16 |
|        | 1/8" | 20   | 0.79 | 27   | 1.06 | 36.5 | 1.44 |
|        | 1/4" | 20   | 0.79 | 27   | 1.06 | 36.5 | 1.44 |
|        | 3/8" | 20   | 0.79 | 27   | 1.06 | 36.5 | 1.44 |
|        | 1/2" | 20   | 0.79 | 27   | 1.06 | 36.5 | 1.44 |
| 1-1/4" | 3/4" | 20   | 0.79 | 27   | 1.06 | 36.5 | 1.44 |
|        | 1/8" | 22   | 0.87 | 30   | 1.18 | 45.5 | 1.79 |
|        | 1/4" | 22   | 0.87 | 30   | 1.18 | 45.5 | 1.79 |
|        | 3/8" | 22   | 0.87 | 30   | 1.18 | 45.5 | 1.79 |
|        | 1/2" | 22   | 0.87 | 30   | 1.18 | 45.5 | 1.79 |
|        | 3/4" | 22   | 0.87 | 30   | 1.18 | 45.5 | 1.79 |
| 1-1/2" | 1"   | 22   | 0.87 | 30   | 1.18 | 45.5 | 1.79 |
|        | 1/4" | 22   | 0.87 | 30   | 1.18 | 50   | 1.97 |
|        | 3/8" | 22   | 0.87 | 30   | 1.18 | 50   | 1.97 |
|        | 1/2" | 22   | 0.87 | 30   | 1.18 | 50   | 1.97 |
|        | 3/4" | 22   | 0.87 | 30   | 1.18 | 50   | 1.97 |
|        | 1"   | 22   | 0.87 | 30   | 1.18 | 50   | 1.97 |
| 1-1/4" | 22   | 0.87 | 30   | 1.18 | 50   | 1.97 |      |

| SIZE   |        | H    |      | L    |      | W    |      |
|--------|--------|------|------|------|------|------|------|
|        |        | mm   | in   | mm   | in   | mm   | in   |
| 2"     | 1/4"   | 23.5 | 0.93 | 33.5 | 1.32 | 62   | 2.44 |
|        | 3/8"   | 23.5 | 0.93 | 33.5 | 1.32 | 62   | 2.44 |
|        | 1/2"   | 23.5 | 0.93 | 33.5 | 1.32 | 62   | 2.44 |
|        | 3/4"   | 23.5 | 0.93 | 33.5 | 1.32 | 62   | 2.44 |
|        | 1"     | 23.5 | 0.93 | 33.5 | 1.32 | 62   | 2.44 |
|        | 1-1/4" | 23.5 | 0.93 | 33.5 | 1.32 | 62   | 2.44 |
| 2-1/2" | 1-1/2" | 23.5 | 0.93 | 33.5 | 1.32 | 62   | 2.44 |
|        | 1/2"   | 28.5 | 1.12 | 39.5 | 1.56 | 78   | 3.07 |
|        | 3/4"   | 28.5 | 1.12 | 39.5 | 1.56 | 78   | 3.07 |
|        | 1"     | 28.5 | 1.12 | 39.5 | 1.56 | 78   | 3.07 |
|        | 1-1/4" | 28.5 | 1.12 | 39.5 | 1.56 | 78   | 3.07 |
|        | 1-1/2" | 28.5 | 1.12 | 39.5 | 1.56 | 78   | 3.07 |
| 3"     | 2"     | 28.5 | 1.12 | 39.5 | 1.56 | 78   | 3.07 |
|        | 1/2"   | 28.5 | 1.12 | 40   | 1.57 | 91   | 3.58 |
|        | 3/4"   | 28.5 | 1.12 | 40   | 1.57 | 91   | 3.58 |
|        | 1"     | 28.5 | 1.12 | 40   | 1.57 | 91   | 3.58 |
|        | 1-1/4" | 28.5 | 1.12 | 40   | 1.57 | 91   | 3.58 |
|        | 1-1/2" | 28.5 | 1.12 | 40   | 1.57 | 91   | 3.58 |
| 4"     | 2"     | 28.5 | 1.12 | 40   | 1.57 | 91   | 3.58 |
|        | 2-1/2" | 28.5 | 1.12 | 40   | 1.57 | 91   | 3.58 |
|        | 1/2"   | 30   | 1.18 | 44.5 | 1.75 | 117  | 4.61 |
|        | 3/4"   | 30   | 1.18 | 44.5 | 1.75 | 117  | 4.61 |
|        | 1"     | 30   | 1.18 | 44.5 | 1.75 | 117  | 4.61 |
|        | 1-1/4" | 30   | 1.18 | 44.5 | 1.75 | 117  | 4.61 |
|        | 1-1/2" | 30   | 1.18 | 44.5 | 1.75 | 117  | 4.61 |
|        | 2"     | 30   | 1.18 | 44.5 | 1.75 | 117  | 4.61 |
| 2-1/2" | 30     | 1.18 | 44.5 | 1.75 | 117  | 4.61 |      |
| 3"     | 30     | 1.18 | 44.5 | 1.75 | 117  | 4.61 |      |

Tolerance:  $\pm 0.5\text{mm}$ (1/8"~2")  
 $\pm 0.8\text{mm}$ (2-1/2"~4")



8F., No.201, Sec. 2, Tiding Blvd., Neihu District, Taipei City 114, Taiwan R.O.C.  
TEL : +886-2-2658-5800 FAX : +886-2-2658-2266 / 2799-7766

[Http://www.haitima.com.tw](http://www.haitima.com.tw)  
E-mail : [haitima@seed.net.tw](mailto:haitima@seed.net.tw)