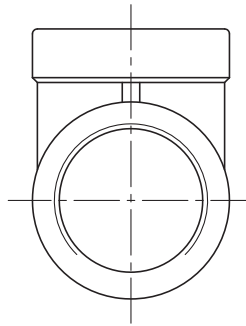
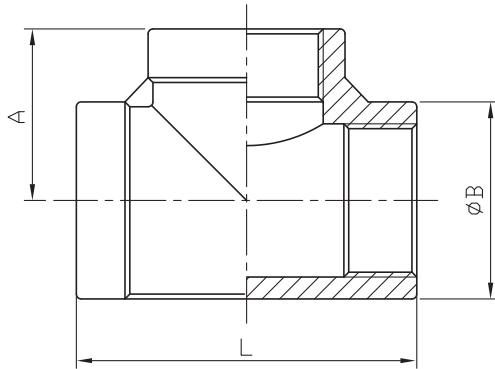


# TEE

# F04

## Class 150



### Standard Pattern

| SIZE | 1/8" |      | 1/4" |      | 3/8" |      | 1/2" |      | 3/4" |      | 1"   |      | 1-1/4" |      | 1-1/2" |      | 2"   |      | 2-1/2" (NPT) |      | 2-1/2" (PS) |      | 3"  |      | 4"  |      |
|------|------|------|------|------|------|------|------|------|------|------|------|------|--------|------|--------|------|------|------|--------------|------|-------------|------|-----|------|-----|------|
|      | mm   | in   | mm   | in   | mm   | in   | mm   | in   | mm   | in   | mm   | in   | mm     | in   | mm     | in   | mm   | in   | mm           | in   | mm          | in   | mm  | in   | mm  | in   |
| A    | 17   | 0.67 | 19.5 | 0.77 | 22   | 0.87 | 27.5 | 1.08 | 30   | 1.18 | 35   | 1.38 | 42.5   | 1.67 | 44.5   | 1.75 | 53.5 | 2.11 | 68           | 2.68 | 66          | 2.6  | 72  | 2.83 | 91  | 3.58 |
| B    | 15   | 0.59 | 18.5 | 0.73 | 22   | 0.87 | 25.5 | 1    | 32.2 | 1.27 | 39.5 | 1.56 | 49     | 1.93 | 56     | 2.2  | 67.6 | 2.66 | 84.5         | 3.33 | 87.5        | 3.44 | 100 | 3.94 | 126 | 4.96 |
| L    | 34   | 1.34 | 39   | 1.54 | 44   | 1.73 | 55   | 2.17 | 60   | 2.36 | 70   | 2.76 | 85     | 3.35 | 88.5   | 3.48 | 107  | 4.21 | 128          | 5.04 | 129         | 5.08 | 144 | 5.67 | 180 | 7.09 |

Tolerance: ±0.5mm(1/8"~2")  
±0.8mm(2-1/2"~4")

### Economic Pattern

| SIZE | 1/8" |      | 1/4" |      | 3/8" |      | 1/2" |      | 3/4" |      | 1"   |      | 1-1/4" |      | 1-1/2" |      | 2"   |      | 2-1/2" (NPT) |      | 2-1/2" (PS) |      | 3"   |      | 4"    |      |
|------|------|------|------|------|------|------|------|------|------|------|------|------|--------|------|--------|------|------|------|--------------|------|-------------|------|------|------|-------|------|
|      | mm   | in   | mm   | in   | mm   | in   | mm   | in   | mm   | in   | mm   | in   | mm     | in   | mm     | in   | mm   | in   | mm           | in   | mm          | in   | mm   | in   | mm    | in   |
| A    | 17   | 0.67 | 19.5 | 0.77 | 22   | 0.87 | 27.5 | 1.08 | 30   | 1.18 | 35   | 1.38 | 42.5   | 1.67 | 44.5   | 1.75 | 53.5 | 2.11 | 68           | 2.68 | 68          | 2.68 | 76   | 2.99 | 91    | 3.58 |
| B    | 13.9 | 0.55 | 17.4 | 0.69 | 20.9 | 0.82 | 24.9 | 0.98 | 31.2 | 1.23 | 38.1 | 1.5  | 47.4   | 1.87 | 54.1   | 2.13 | 66.6 | 2.62 | 80.1         | 3.15 | 82.4        | 3.24 | 95.9 | 3.78 | 121.8 | 4.8  |
| L    | 34   | 1.34 | 39   | 1.54 | 44   | 1.73 | 55   | 2.17 | 60   | 2.36 | 70   | 2.76 | 85     | 3.35 | 89     | 3.5  | 107  | 4.21 | 136          | 5.35 | 136         | 5.35 | 152  | 5.98 | 182   | 7.17 |

Tolerance: ±0.5mm(1/8"~2")  
±0.8mm(2-1/2"~4")

Taiwan  
BUREAU VERITAS  
Certification



HAINAN DEBBIN  
RECOGNITION  
FOR QUALITY SYSTEM  
Certification



TRD  
100



Type  
Approval

CE CRN  
0035

REGISTERED



6ES-1017



ATEX  
I2GD

TA-Luft  
VDI 2440

ISO 15848  
LOW EMISSION

REACH  
(EC 1907/2006)



RoHS  
2002/95/EC

8F., No.201, Sec. 2, Tiding Blvd., Neihu District, Taipei City 114, Taiwan R.O.C.  
TEL : +886-2-2658-5800 FAX : +886-2-2658-2266 / 2799-7766

[Http://www.haitima.com.tw](http://www.haitima.com.tw)  
E-mail : [haitima@seed.net.tw](mailto:haitima@seed.net.tw)