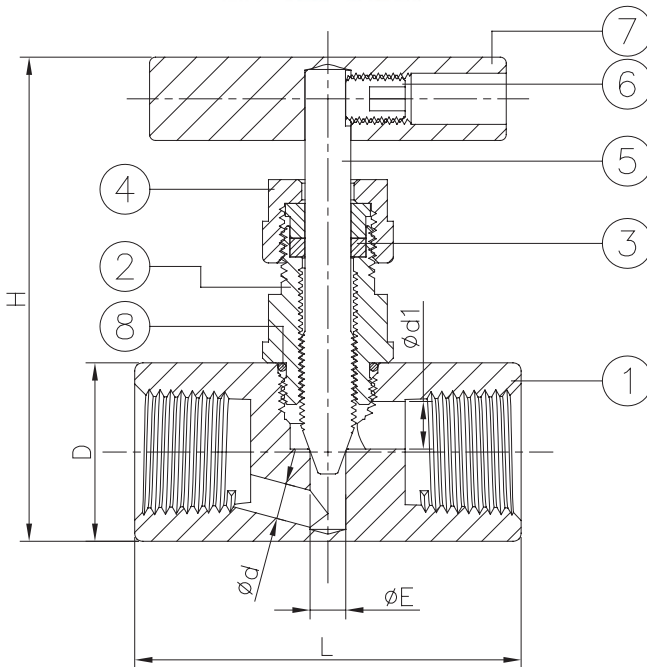




## FEATURES

- 1/4"~1" (DN8~DN25)
- W.P. : 6000 PSI  
10000 PSI
- W.T. : -20°C~200°C (-4°F~392°F)
- Thread type : ASTM B1.20.1 (NPT)  
DIN2999 & BS21  
ISO7/1 & EN10226



ITEM	PARTS	MATERIAL
1	BODY	ASTM A351-CF8M
2	BONNET	AISI 304
3	PACKING	TEFLON
4	NUT	AISI 304
5	STEM	AISI 304 / AISI 316
6	SCREW	AISI 304
7	HANDLE	
8	O-RING	VITON

DN	H	L	D	d	E	d1	Weight (Kg)	CV
8	77	45.5	22	5	6	5	0.3	0.8
10	78	59	25	5	6	6.3	0.4	0.9
15	81	65	30	6	6	8	0.5	1.2
20	113	70	35	8	8	10	0.8	1.3
25	117	80	45	8	8	12	1.3	1.8

unit:mm

NPS	H	L	D	d	E	d1	Weight (lb)	CV
1/4"	3.03	1.79	0.87	0.2	0.24	0.2	0.7	0.8
3/8"	3.07	2.32	0.98	0.2	0.24	0.25	0.9	0.9
1/2"	3.19	2.56	1.18	0.24	0.24	0.31	1.1	1.2
3/4"	4.45	2.76	1.38	0.31	0.31	0.39	1.8	1.3
1"	4.61	3.15	1.77	0.31	0.31	0.47	2.9	1.8

unit:in