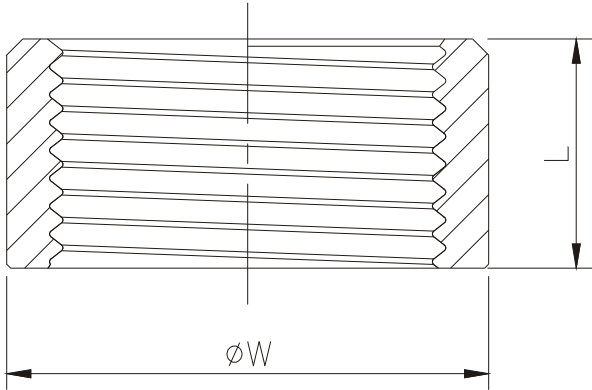


HALF COUPLING



SIZE	1/8"		1/4"		3/8"		1/2"		3/4"		1"		1-1/4"		1-1/2"		2"		2-1/2"		3"		4"	
	mm	in	mm	in	mm	in	mm	in	mm	in	mm	in	mm	in	mm	in	mm	in	mm	in	mm	in	mm	in
L	11	0.43	11	0.43	14	0.55	16	0.63	18	0.71	20	0.79	23	0.91	23	0.91	27	1.06	32	1.26	35	1.38	38	1.5
W	14	0.55	18.5	0.73	21.5	0.96	26	1.02	32	1.26	39	1.53	48	1.89	54	2.12	66.5	2.62	82	3.23	95	3.74	122	4.8

Tolerance L: $\pm 1.5\text{mm}$
 W: $\pm 1.0\text{mm}$