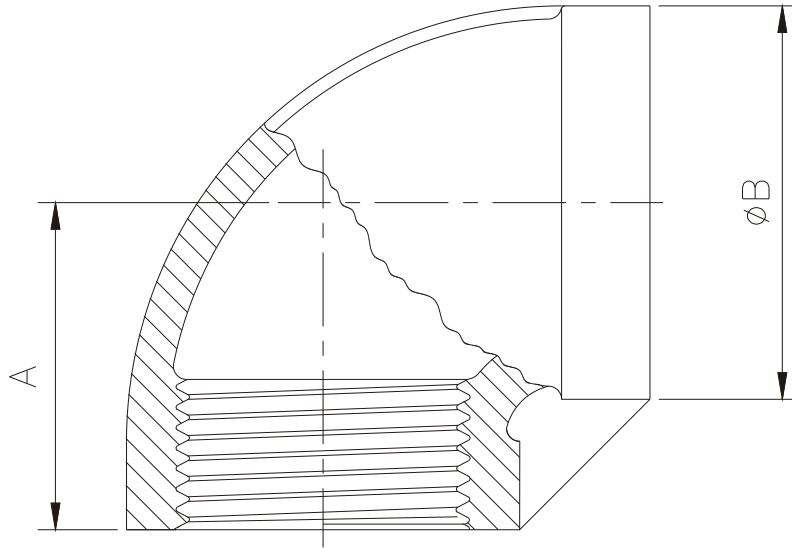


ELBOW 90°



SIZE	1/8"		1/4"		3/8"		1/2"		3/4"		1"		1-1/4"		1-1/2"		2"		2-1/2"		3"	
	mm	in	mm	in	mm	in	mm	in	mm	in	mm	in	mm	in	mm	in	mm	in	mm	in	mm	in
A	17	0.67	19	0.75	21.5	0.85	27	1.06	30	1.18	35	1.38	43	1.69	45	1.77	54	2.12	64	2.52	72	2.83
B	16	0.63	19	0.75	22.5	0.89	29	1.14	34	1.34	42	1.65	50	1.97	57	2.24	70	2.76	88	3.46	101	3.97

Tolerance: $\pm 0.8\text{mm}$