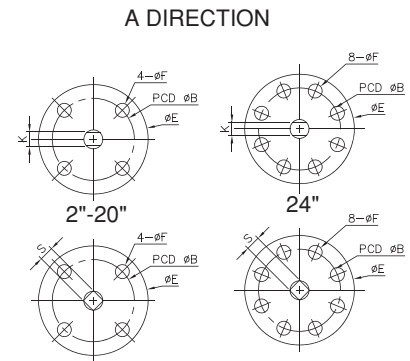
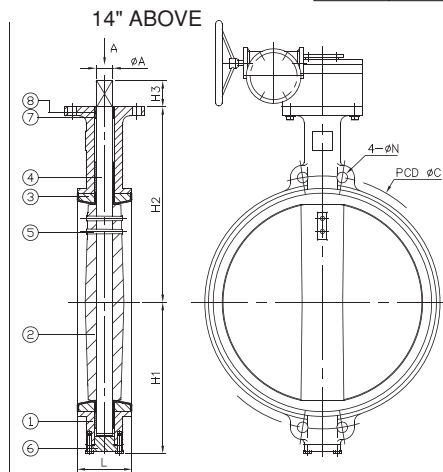
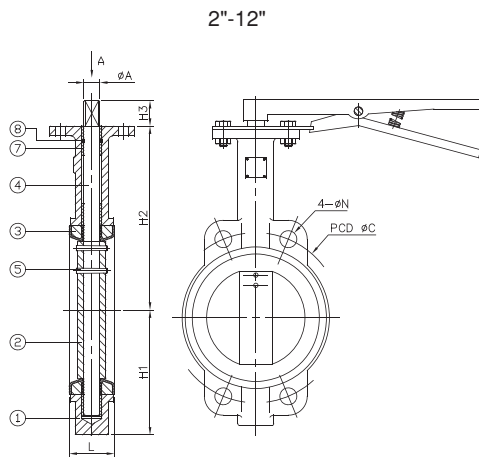




FEATURES

- 2"~24" (DN50~DN600)
- W.P. : PN10/16
CLASS 125/150
JIS 10K
- Wafer type
- Lever operator / Gear operator (option)
- High performance butterfly valve - 2014H

ITEM	PARTS	MATERIAL
1	BODY	CI / DI
2	DISC	DI / AL-BRONZE / AISI 316
3	SEAT	EPDM
4	STEM	AISI 416
5	TAPER PIN	STAINLESS STEEL
6	COVER	DI
7	BUSHING	PTFE
8	O-RING	EPDM



DN	H1	H2	H3	L	A	K	S	C	N	E	B	F	Torque (N-M)
50	76	162	30	45	12.7	10	9	120.5	19	92	70	9	26.7
65	89	175	30	48	12.7	10	9	139.5	19	92	70	9	37.3
80	95	181	30	49	12.7	10	9	152.5	19	92	70	9	50.1
100	114	200	30	55	15.9	12	11	190.5	19	92	70	9	92.3
125	127	213	30	58	19.05	14	14	216	22	92	70	9	149.5
150	140	225	30	59	19.05	14	14	241.5	22	92	70	9	222.8
200	177	260	36	64	22.2	17	17	298.5	22	125	102	11	429
250	203	292	36	70	28.6	22	22	362	25	125	102	11	711.1
300	242	337	36	80	31.8	24	22	432	25	150	125	13	1034.3
350	267	368	45	80	31.8	24	22	476	29	150	125	13	1216.8
400	298	400	51	90	33.3	27	22	539.5	29	210	165	22	1726.4
450	318	422	51	109	38	27	27	578	32	210	165	22	2234.7
500	349	479	64	135	41.15	32	27	635	32	210	165	22	3193.6
600	410	562	71	156	50.65	36	36	749.5	35	300	254	18	5765.5

NPS	H1	H2	H3	L	A	K	S	C	N	E	B	F	Torque (in-lb)
2"	2.99	6.38	1.18	1.77	0.5	0.39	0.35	4.74	0.75	3.62	2.76	0.35	236.6
2-1/2"	3.5	6.89	1.18	1.89	0.5	0.39	0.35	5.49	0.75	3.62	2.76	0.35	330.2
3"	3.74	7.13	1.18	1.93	0.5	0.39	0.35	6	0.75	3.62	2.76	0.35	443
4"	4.49	7.87	1.18	2.17	0.63	0.47	0.43	7.5	0.75	3.62	2.76	0.35	816.9
5"	5	8.39	1.18	2.28	0.75	0.55	0.55	8.5	0.87	3.62	2.76	0.35	1323.2
6"	5.51	8.86	1.18	2.32	0.75	0.55	0.55	9.51	0.87	3.62	2.76	0.35	1972.1
8"	6.97	10.24	1.42	2.52	0.87	0.67	0.67	11.75	0.87	4.92	4.02	0.43	3797
10"	7.99	11.5	1.42	2.76	1.13	0.87	0.87	14.25	0.98	4.92	4.02	0.43	6293.7
12"	9.53	13.27	1.42	3.15	1.25	0.94	0.87	17.01	0.98	5.91	4.92	0.51	9154.1
14"	10.51	14.49	1.77	3.15	1.25	0.94	0.87	18.74	1.14	5.91	4.92	0.51	10769.5
16"	11.73	15.75	2.01	3.54	1.31	1.06	0.87	21.24	1.14	8.27	6.5	0.87	15279.8
18"	12.52	16.61	2.01	4.29	1.5	1.06	1.06	22.76	1.26	8.27	6.5	0.87	19778.7
20"	13.74	18.86	2.52	5.31	1.62	1.26	1.06	25	1.26	8.27	6.5	0.87	28265.4
24"	16.14	22.13	2.8	6.14	1.99	1.42	1.42	29.51	1.38	11.81	10	0.71	51028.7

unit:mm

unit:in