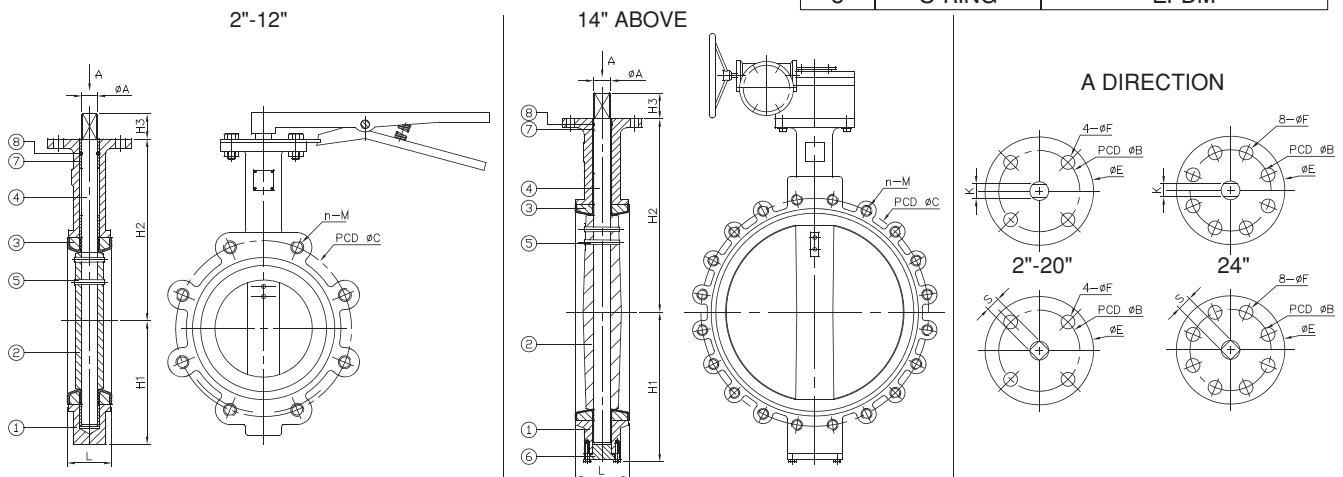




## FEATURES

- 2"~24" (DN50~DN600)
- W.P. : PN10/16  
CLASS 125/150  
JIS 10K
- Lug type
- Lever operator /  
Gear operator (option)
- High performance butterfly valve -  
2014H

| ITEM | PARTS     | MATERIAL                  |
|------|-----------|---------------------------|
| 1    | BODY      | CI / DI                   |
| 2    | DISC      | DI / AL-BRONZE / AISI 316 |
| 3    | SEAT      | EPDM / BUNA               |
| 4    | STEM      | AISI 416                  |
| 5    | TAPER PIN | STAINLESS STEEL           |
| 6    | COVER     | DI                        |
| 7    | BUSHING   | PTFE                      |
| 8    | O-RING    | EPDM                      |



| DN  | H1  | H2  | H3 | L   | A     | K  | S  | C     | n  | M        | E   | B   | F  | Torque (N-M) |
|-----|-----|-----|----|-----|-------|----|----|-------|----|----------|-----|-----|----|--------------|
| 50  | 76  | 76  | 30 | 45  | 12.7  | 10 | 9  | 120.5 | 4  | 5/8"-11  | 92  | 70  | 9  | 26.7         |
| 65  | 80  | 80  | 30 | 48  | 12.7  | 10 | 9  | 139.5 | 4  | 5/8"-11  | 92  | 70  | 9  | 37.3         |
| 80  | 95  | 95  | 30 | 49  | 12.7  | 10 | 9  | 152.5 | 4  | 5/8"-11  | 92  | 70  | 9  | 50.1         |
| 100 | 114 | 114 | 30 | 55  | 15.9  | 12 | 11 | 190.5 | 8  | 5/8"-11  | 92  | 70  | 9  | 92.3         |
| 125 | 127 | 127 | 30 | 58  | 19.05 | 14 | 14 | 216   | 8  | 3/4"-10  | 92  | 70  | 9  | 149.5        |
| 150 | 140 | 140 | 30 | 59  | 19.05 | 14 | 14 | 241.5 | 8  | 3/4"-10  | 92  | 70  | 9  | 222.8        |
| 200 | 173 | 173 | 36 | 64  | 22.2  | 17 | 17 | 298.5 | 8  | 3/4"-10  | 125 | 102 | 11 | 429          |
| 250 | 203 | 203 | 36 | 70  | 28.6  | 22 | 22 | 362   | 12 | 7/8"-9   | 125 | 102 | 11 | 711.1        |
| 300 | 237 | 237 | 36 | 80  | 31.8  | 24 | 22 | 432   | 12 | 7/8"-9   | 150 | 125 | 13 | 1034.3       |
| 350 | 279 | 279 | 45 | 80  | 31.8  | 24 | 22 | 476   | 12 | 1"-8     | 150 | 125 | 13 | 1216.8       |
| 400 | 304 | 304 | 51 | 90  | 33.3  | 27 | 22 | 539.5 | 16 | 1"-8     | 210 | 165 | 22 | 1726.4       |
| 450 | 362 | 362 | 51 | 109 | 38    | 27 | 27 | 578   | 16 | 1-1/8"-7 | 210 | 165 | 22 | 2234.7       |
| 500 | 368 | 368 | 64 | 135 | 41.15 | 32 | 27 | 635   | 20 | 1-1/8"-7 | 210 | 165 | 22 | 3193.6       |
| 600 | 444 | 444 | 70 | 156 | 50.65 | 36 | 36 | 749.5 | 20 | 1-1/4"-7 | 300 | 254 | 18 | 5765.5       |

| NPS    | H1    | H2    | H3   | L    | A    | K    | S    | C     | n  | M        | E     | B    | F    | Torque (in-lb) |
|--------|-------|-------|------|------|------|------|------|-------|----|----------|-------|------|------|----------------|
| 2"     | 2.99  | 6.38  | 1.18 | 1.77 | 0.5  | 0.39 | 0.35 | 4.74  | 4  | 5/8"-11  | 3.62  | 2.76 | 0.35 | 236.6          |
| 2-1/2" | 3.15  | 6.89  | 1.18 | 1.89 | 0.5  | 0.39 | 0.35 | 5.49  | 4  | 5/8"-11  | 3.62  | 2.76 | 0.35 | 330.2          |
| 3"     | 3.74  | 7.13  | 1.18 | 1.93 | 0.5  | 0.39 | 0.35 | 6     | 4  | 5/8"-11  | 3.62  | 2.76 | 0.35 | 443            |
| 4"     | 4.49  | 7.87  | 1.18 | 2.17 | 0.63 | 0.47 | 0.43 | 7.5   | 8  | 5/8"-11  | 3.62  | 2.76 | 0.35 | 816.9          |
| 5"     | 5     | 8.39  | 1.18 | 2.28 | 0.75 | 0.55 | 0.55 | 8.5   | 8  | 3/4"-10  | 3.62  | 2.76 | 0.35 | 1323.2         |
| 6"     | 5.51  | 8.86  | 1.18 | 2.32 | 0.75 | 0.55 | 0.55 | 9.51  | 8  | 3/4"-10  | 3.62  | 2.76 | 0.35 | 1972.1         |
| 8"     | 6.81  | 10.24 | 1.42 | 2.52 | 0.87 | 0.67 | 0.67 | 11.75 | 8  | 3/4"-10  | 4.92  | 4.02 | 0.43 | 3797           |
| 10"    | 7.99  | 11.5  | 1.42 | 2.76 | 1.13 | 0.87 | 0.87 | 14.25 | 12 | 7/8"-9   | 4.92  | 4.02 | 0.43 | 6293.7         |
| 12"    | 9.33  | 13.27 | 1.42 | 3.15 | 1.25 | 0.94 | 0.87 | 17.01 | 12 | 7/8"-9   | 5.91  | 4.92 | 0.51 | 9154.1         |
| 14"    | 10.98 | 14.49 | 1.77 | 3.15 | 1.25 | 0.94 | 0.87 | 18.74 | 12 | 1"-8     | 5.91  | 4.92 | 0.51 | 10769.5        |
| 16"    | 11.97 | 15.75 | 2.01 | 3.54 | 1.31 | 1.06 | 0.87 | 21.24 | 16 | 1"-8     | 8.27  | 6.5  | 0.87 | 15279.8        |
| 18"    | 14.25 | 16.61 | 2.01 | 4.29 | 1.5  | 1.06 | 1.06 | 22.76 | 16 | 1-1/8"-7 | 8.27  | 6.5  | 0.87 | 19778.7        |
| 20"    | 14.49 | 18.86 | 2.52 | 5.31 | 1.62 | 1.26 | 1.06 | 25    | 20 | 1-1/8"-7 | 8.27  | 6.5  | 0.87 | 28265.4        |
| 24"    | 17.48 | 22.13 | 2.76 | 6.14 | 1.99 | 1.42 | 1.42 | 29.51 | 20 | 1-1/4"-7 | 11.81 | 10   | 0.71 | 51028.7        |

unit:mm