



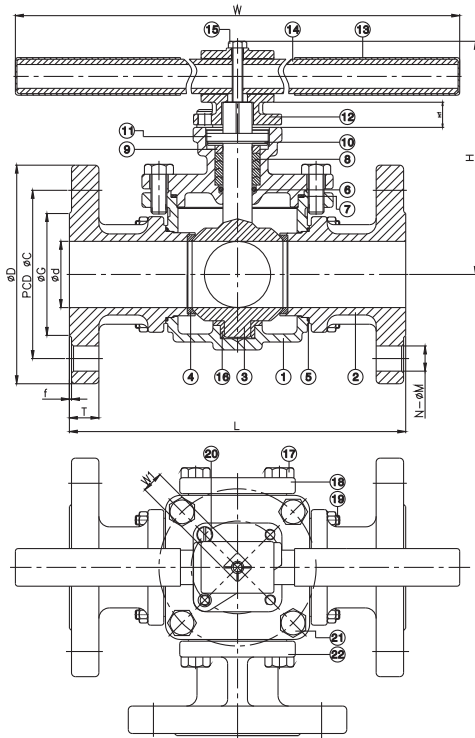
# 3/4-WAY FLANGED END BALL VALVE

# 2059



## FEATURES

- Full port, 1/2"~6" (DN15~DN150)
- W.P. : PN16/40  
CLASS 150/300
- W.T. : -20°C~200°C (-4°F~392°F)
- Investment casting
- Blow-out proof stem
- ISO 5211 Mounting pad



ITEM	PARTS	MATERIAL	
1	BODY	ASTM A351-CF8M	ASTM A351-CF8
2	CAP		
3	BALL		
4	SEAT	PTFE	
5	GASKET	VITON	
6	O-RING	VITON	
7	GASKET	PTFE	
8	PACKING	PTFE	
9	GLAND RING	SUS 304	
10	SPRING WASHER	SUS 304	
11	CAP-C	ASTM A351-CF8M	ASTM A351-CF8
12	HANDLE HEAD	ASTM A351-CF8	
13	HANDLE SLEEVE	PLASTIC	
14	HANDLE POLE	SUS 304	
15	HANDLE BOLT	SUS 304	
16	SLEEVE	PTFE	
17	CAP-B BOLT	SUS 304	
18	CAP-B	ASTM A351-CF8M	ASTM A351-CF8
19	BOLT	SUS 304	
20	STOP PIN	SUS 304	
21	CAP-A BOLT	SUS 304	
22	CAP-A	ASTM A351-CF8M	ASTM A351-CF8

### CLASS 150

DN	d	D	C	G	T	f	N	M	L	H	H1	W	W1	Torque (N·M)	
														Breakaway	Action
15	15	89	60.5	35	12.1	1.6	4	16	148	80	9	123	9	22.9	14.8
20	20	98	70	43	12.1	1.6	4	16	153	84	9	123	9	27.3	17.9
25	25	108	79.5	51	12.1	1.6	4	16	168	96	11	153	11	31.2	20.8
40	40	127	98.5	73	14.3	1.6	4	16	221	171	19	403	17	39	23.9
50	50	152	120.5	92	15.9	1.6	4	19	254	176	19	403	17	83.2	58.5
65	65	178	139.5	105	17.5	1.6	4	19	300	198	24	504	22	91	65
80	80	190	152.5	127	19.1	1.6	4	19	305	216	24	504	22	187.2	132.6
100	100	229	190.5	157	23.9	1.6	8	19	369	236	24	504	22	234	156
150	150	279	241.5	216	25.4	1.6	8	22	480	329	38	800	36	442	286

unit:mm

NPS	d	D	C	G	T	f	N	M	L	H	H1	W	W1	Torque (in·lb)	
														Breakaway	Action
1/2"	0.59	3.5	2.38	1.38	0.48	0.06	4	0.63	5.83	3.15	0.35	4.84	0.35	202.68	130.99
3/4"	0.79	3.86	2.76	1.69	0.48	0.06	4	0.63	6.02	3.31	0.35	4.84	0.35	241.62	158.43
1"	0.98	4.25	3.13	2.01	0.48	0.06	4	0.63	6.61	3.78	0.43	6.02	0.43	276.14	184.09
1-1/2"	1.57	5	3.88	2.87	0.56	0.06	4	0.63	8.70	6.73	0.75	15.87	0.67	345.18	211.53
2"	1.97	5.98	4.74	3.62	0.63	0.06	4	0.75	10.00	6.93	0.75	15.87	0.67	736.38	517.77
2-1/2"	2.56	7.01	5.49	4.13	0.69	0.06	4	0.75	11.81	7.80	0.94	19.84	0.87	805.41	575.30
3"	3.15	7.48	6	5	0.75	0.06	8	0.75	12.01	8.50	0.94	19.84	0.87	1656.85	1173.60
4"	3.94	9.02	7.5	6.18	0.94	0.06	8	0.75	14.53	9.29	0.94	19.84	0.87	2071.06	1380.71
6"	5.91	10.98	9.51	8.5	1	0.06	8	0.87	18.90	12.95	1.50	31.50	1.42	3912.01	2531.30

unit:in



8F., No.201, Sec. 2, Tiding Blvd., Neihu District, Taipei City 114, Taiwan R.O.C.  
 TEL: +886-2-26585800 FAX: +886-2-26582266 / 27997766

[Http://www.haitima.com.tw](http://www.haitima.com.tw)  
 Email: [haitima@seed.net.tw](mailto:haitima@seed.net.tw)