



2-PC. FLANGED END BALL VALVE

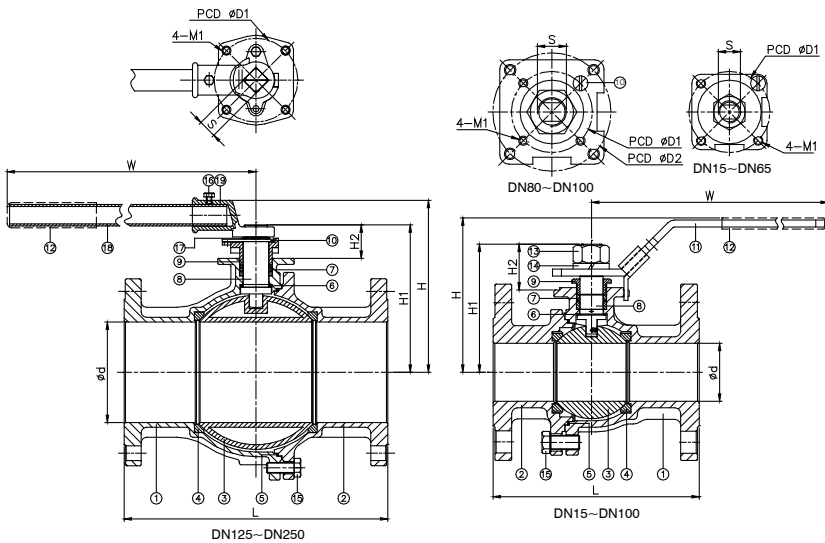
2020S

FEATURES



- Full port, 1/2"~10" (DN15~DN250)
- W.P : CLASS 150/300
- W.T. : -20°C~200°C (-4°F~392°F)
- Investment casting
- Blow-out proof stem
- Anti-static device (option)
- Locking device
- ISO 5211 Mounting pad
- **TA-Luft approved (option)**

- Flange dimension: ASME B16.5
- Face to face: ASME B16.10



ITEM	PARTS	MATERIAL	
1	BODY	ASTM A351-CF8M	ASTM A216-WCB
2	CAP		
3	SOLID BALL	ASTM A351-CF8M	
	HOLLOW BALL	ASTM A240-316	
4	SEAT	PTFE / RTFE	
5	SEAL		
6	THRUST WASHER	PTFE	
7	PACKING		
8	STEM	ASTM A276-316	
9	GLAND		
10	STOP PIN	AISI 304	
11	HANDLE	STAINLESS STEEL	
12	HANDLE SLEEVE	PVC	
13	STEM NUT		
14	SPRING WASHER		
15	BOLT		
16	BOLT	AISI 304	
17	CIRCLIPS FOR SHAFT		
18	STEEL TUBE		
19	WRENCH BLOCK		

DN	d	L		H	H1	H2	W	S	D1	D2	M1	Torque (N-M)	
		CLASS 150	CLASS 300									CLASS 150	CLASS 300
15	15	108	140	85.7	57.2	23.7	169	8	42	-	M5	3.8	7.5
20	20	117	152	88.5	60	23.5	169	8	42	-	M5	5.5	7.6
25	25	127	165	103.3	73.8	29	205	10	50	-	M6	6.5	17.5
32	32	140	178	108	78.5	29	205	10	50	-	M6	9	20
40	38	165	190	128.4	102.9	39.4	266	12	70	-	M8	25	22.9
50	50	178	216	135.9	110.4	39.4	266	12	70	-	M8	38	32.2
65	65	190	241	147.6	122.1	38.6	298	12	70	-	M8	45	42.3
80	80	203	282	167.5	142	43	390	15	70	102	M10	61	87.2
100	100	228.5	305	182.5	157	43	390	15	70	102	M10	80	98.2
125	125	356	-	239.6	199	52	743	27	125	-	M12	160	-
150	150	394	403	256.5	220	50	743	27	125	-	M12	190	185
200	200	457	502	334	300.5	85.5	840	36	140	-	M16	470	470
250	250	533	-	378	334.5	74.5	1040	36	140	-	M16	750	-

unit:mm

NPS	d	L		H	H1	H2	W	S	D1	D2	M1	Torque (in-lb)	
		CLASS 150	CLASS 300									CLASS 150	CLASS 300
1/2"	0.59	4.25	5.51	3.37	2.25	0.93	6.65	0.31	1.65	-	M5	33.6	66.4
3/4"	0.79	4.61	5.98	3.48	2.36	0.93	6.65	0.31	1.65	-	M5	48.7	67.3
1"	0.98	5	6.5	4.07	2.91	1.14	8.07	0.39	1.97	-	M6	57.5	154.9
1-1/4"	1.26	5.51	7.01	4.25	3.09	1.14	8.07	0.39	1.97	-	M6	79.7	177
1-1/2"	1.5	6.5	7.48	5.06	4.05	1.55	10.47	0.47	2.76	-	M8	221.3	202.7
2"	1.97	7.01	8.5	5.35	4.35	1.55	10.47	0.47	2.76	-	M8	336.3	285
2-1/2"	2.56	7.48	9.49	5.81	4.81	1.52	11.73	0.47	2.76	-	M8	398.3	374.4
3"	3.15	7.99	11.1	6.59	5.59	1.69	15.35	0.59	2.76	4.02	M10	539.9	771.8
4"	3.94	9	12.01	7.19	6.18	1.69	15.35	0.59	2.76	4.02	M10	708.1	869.1
5"	4.92	14.02	-	9.43	7.83	2.05	29.25	1.06	4.92	-	M12	1416.1	-
6"	5.91	15.51	15.87	10.1	8.66	1.97	29.25	1.06	4.92	-	M12	1681.6	1637.4
8"	7.87	17.99	19.76	13.15	11.83	3.37	33.07	1.42	5.51	-	M16	4159.8	4159.8
10"	9.84	20.98	-	14.88	13.17	2.93	40.94	1.42	5.51	-	M16	6638	-

unit:in



8F, No.201, Sec. 2, Tiding Blvd., Neihu District, Taipei City 114, Taiwan R.O.C.
 TEL: +886-2-2658-5800 FAX: +886-2-2658-2266 / 2799-7766

E-mail : haitima@seed.net.tw
<http://www.haitima.com.tw>