



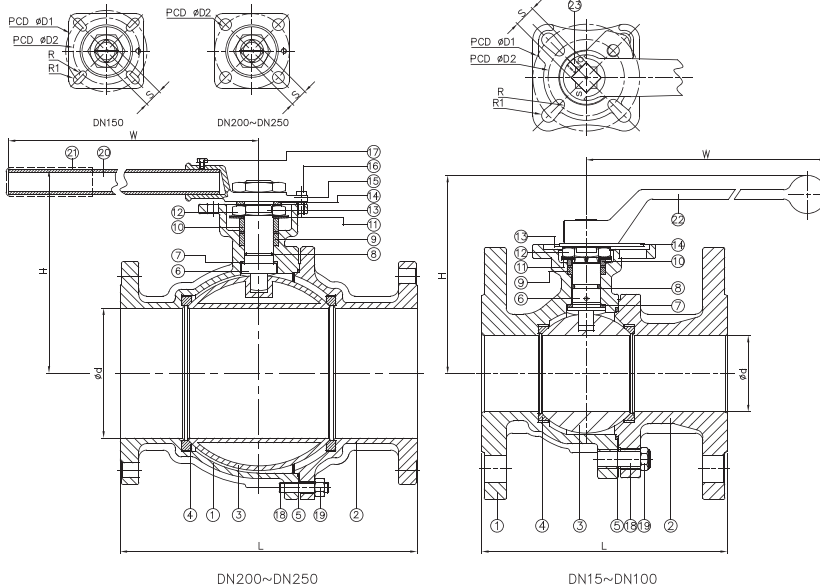
2-PC. FLANGED END BALL VALVE

2020D



FEATURES

- Full port, 1/2"~10" (DN15~DN250)
- W.P. : CLASS 150/300
- W.T. : -20°C~200°C (-4°F~392°F)
- Investment casting
- Blow-out proof stem
- Live-loading design
- Anti-static device
- Locking device
- ISO 5211 direct mounting pad
- **API 607 Fire safe approved**
- **ISO 15848 fugitive emission approved (option)**
- **Automation accessories (option)**



ITEM	PARTS	MATERIAL	
1	BODY	ASTM A351-CF8M	ASTM A216-WCB
2	CAP		
3	BALL	SOLID: ASTM A351-CF8M / HOLLOW: ASTM A240-316	
4	SEAT	PTFE / RTFE	
5	SEAL	GRAPHITE	
6	STEM	ASTM A276-316	
7	THRUST WASHER	CTFE	
8	O-RING	VITON	
9	PACKING	GRAPHITE	
10	GLAND RING	AISI 304	
11	BELLEVILLE WASHER	AISI 301	
12	STEM NUT		
13	LOCKING WASHER		
14	FLAT WASHER		
15	HANDLE HEAD		
16	STOP PIN	AISI 304	
17	BOLT		
18	STUD		
19	NUT		
20	STEEL TUBE		
21	HANDLE SLEEVE	PVC	
22	HANDLE		
23	SOCKET SET SCREW	AISI 301	

- ABOVE MENTIONED MATERIALS APPLY TO FIRE SAFE DESIGN
 - ISO 15848 DESIGN SHOULD REPLACE WITH PTFE SEAL & PACKING

DN	d	CLASS 150			CLASS 300			D1	D2	R	R1	S	Torque(N·M)
		L	H	W	L	H	W						
15	15	108	85	190	140	84.5	197.5	42	36	2.75	2.75	9	5.2
20	20	117	89.5	190	152	94.5	197.5	42	36	2.75	2.75	9	8
25	24	127.5	94.2	190	165	99.5	197.5	50	42	2.75	3.5	11	12.5
32	30	140.5	97.9	190	178	105	197.5	50	42	2.75	3.5	11	12
40	38	165	120.9	235	190	124.5	247.5	70	50	3.5	4.5	14	24.5
50	50	178	129.9	235	216	129	247.5	70	50	3.5	4.5	14	32
65	64	190.5	156.3	325	241	154.5	340	102	70	4.5	5.5	17	38
80	76	203	163.3	325	282	165.5	340	102	70	4.5	5.5	17	45
100	98	229	190.9	325	305	188	340	125	102	5.5	6.5	22	55
125	125	356	232	743	-	-	-	125	102	5.5	6.5	27	160
150	150	394	230	743	403	253	743	125	102	5.5	6.5	27	250
200	200	457	312	840	-	-	-	-	140	8.5	-	36	470
250	250	533	350	1040	-	-	-	-	140	8.5	-	36	750

unit:mm

NPS	d	CLASS 150			CLASS 300			D1	D2	R	R1	S	Torque(in·lb)
		L	H	W	L	H	W						
1/2"	0.59	4.25	3.35	7.48	5.51	3.33	7.78	1.65	1.42	0.11	0.11	0.35	46
3/4"	0.79	4.61	3.52	7.48	5.98	3.72	7.78	1.65	1.42	0.11	0.11	0.35	70.8
1"	0.94	5.02	3.71	7.48	6.5	3.92	7.78	1.97	1.65	0.11	0.14	0.43	110.6
1-1/4"	1.18	5.53	3.85	7.48	7.01	4.13	7.78	1.97	1.65	0.11	0.14	0.43	106.2
1-1/2"	1.5	6.5	4.76	9.25	7.48	4.9	9.74	2.76	1.97	0.14	0.18	0.55	216.8
2"	1.97	7.01	5.11	9.25	8.5	5.08	9.74	2.76	1.97	0.14	0.18	0.55	283.2
2-1/2"	2.52	7.5	6.15	12.8	9.49	6.08	13.39	4.02	2.76	0.18	0.22	0.67	336.3
3"	2.99	7.99	6.43	12.8	11.1	6.52	13.39	4.02	2.76	0.18	0.22	0.67	398.3
4"	3.86	9.02	7.52	12.8	12.01	7.4	13.39	4.92	4.02	0.22	0.26	0.87	486.8
5"	4.92	14.02	9.13	29.25	-	-	-	4.92	4.02	0.22	0.26	1.06	1416.1
6"	5.91	15.51	9.06	29.25	15.87	9.96	29.25	4.92	4.02	0.22	0.26	1.06	2212.7
8"	7.87	17.99	12.28	33.07	-	-	-	-	5.51	0.33	-	1.42	4159.8
10"	9.84	20.98	13.78	40.94	-	-	-	-	5.51	0.33	-	1.42	6638

unit:in

8F., No.201, Sec. 2, Tiding Blvd., Neihu District, Taipei City 114, Taiwan R.O.C.
 TEL : +886-2-2658-5800 FAX : +886-2-2658-2266 / 2799-7766

Http://www.haitima.com.tw
 E-mail : haitima@seed.net.tw