



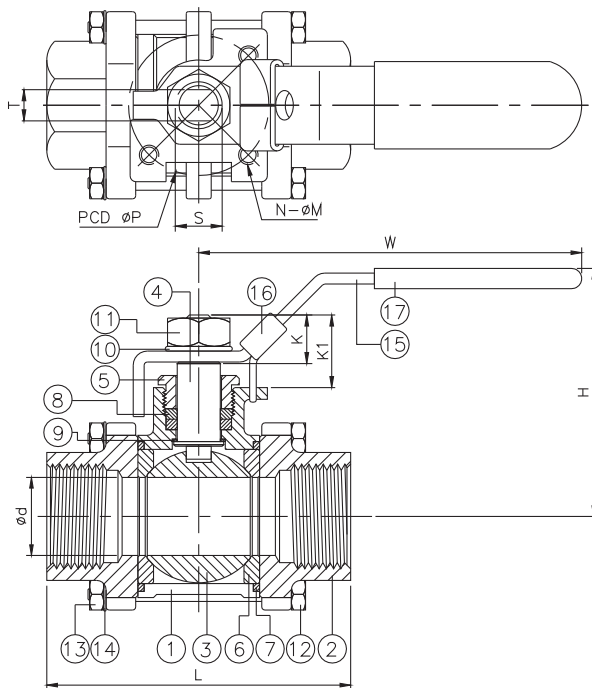
3-PC. SCREWED END BALL VALVE

2013M



FEATURES

- Full port, 1/4"~4" (DN8~DN100)
- W.P. : 1000 WOG (PN63)
- W.T. : -20°C~200°C (-4°F~392°F)
- Investment casting
- Blow-out proof stem
- Anti-static device (option)
- Locking device
- ISO 5211 Mounting pad
- Thread type : ASME B1.20.1 (NPT)
DIN2999 & BS21
ISO228/1 & ISO7/1



ITEM	PARTS	MATERIAL			
1	BODY	ASTM A351-CF8M	ASTM A216-WCB		
2	CAP				
3	BALL	ASTM A351-CF8M			
4	STEM	ASTM A276-316			
5	GLAND NUT	AISI 304			
6	SEAT	PTFE / RTFE / CTFE			
7	SEAL	PTFE			
8	PACKING				
9	THRUST WASHER	AISI 304			
10	SPRING WASHER				
11	STEM NUT				
12	BOLT				
13	BOLT NUT				
14	SPRING WASHER				
15	HANDLE				
16	LOCKING DEVICE				
17	HANDLE SLEEVE			PVC	

DN	d	L	H	W	P	N	M	K	K1	T	S	ISO 5211	Torque (N·M)	Weight (kg)
8	11.6	64.5	54	119	36	3	M5	10.5	15.2	5	5/16"UNC	F03	4	0.45
10	12.7	64.5	54	119	36	3	M5	10.5	15.2	5	5/16"UNC	F03	4	0.43
15	15	66	57	119	36	3	M5	10.5	16.2	5	5/16"UNC	F03	4	0.54
20	20	83.4	63	135.5	36	3	M5	13.5	20.7	6.5	3/8"UNC	F03	7	0.75
25	25	95	81	158.5	42	3	M5	15.5	24.7	8	7/16"UNC	F04	7.5	1.12
32	32	111.2	86	158.5	50	3	M6	15.5	21.7	8	7/16"UNC	F05	11	1.8
40	38	129.8	96	188	50	3	M6	17.5	26.7	9	1/2"UNC	F05	17	2.5
50	50	151	109	198	70	3	M8	17.5	26.7	9	1/2"UNC	F07	45	3.75
65	65	184	133	280	102	4	M12	33	42.2	12	3/4"UNC	F10	59	8.75
80	80	209	149	320	102	4	M12	33	40.2	12	3/4"UNC	F10	90	14.3
100	100	234.4	171	312	102	4	M12	42	54	16	1"UNC	F10	160	23.5

unit:mm

NPS	d	L	H	W	P	N	M	K	K1	T	S	ISO 5211	Torque (in·lb)	Weight (lb)
1/4"	0.46	2.54	2.13	4.69	1.42	3	M5	0.41	0.6	0.2	5/16"UNC	F03	35	0.99
3/8"	0.5	2.54	2.13	4.69	1.42	3	M5	0.41	0.6	0.2	5/16"UNC	F03	35	0.95
1/2"	0.59	2.6	2.24	4.69	1.42	3	M5	0.41	0.64	0.2	5/16"UNC	F03	35	1.19
3/4"	0.79	3.28	2.48	5.33	1.42	3	M5	0.53	0.81	0.26	3/8"UNC	F03	62	1.65
1"	0.98	3.74	3.19	6.24	1.65	3	M5	0.61	0.97	0.31	7/16"UNC	F04	66	2.47
1-1/4"	1.26	4.38	3.39	6.24	1.97	3	M6	0.61	0.85	0.31	7/16"UNC	F05	97	3.97
1-1/2"	1.5	5.11	3.78	7.4	1.97	3	M6	0.69	1.05	0.35	1/2"UNC	F05	150	5.51
2"	1.97	5.94	4.29	7.8	2.76	3	M8	0.69	1.05	0.35	1/2"UNC	F07	398	8.27
2-1/2"	2.56	7.24	5.24	11.02	4.02	4	M12	1.3	1.66	0.47	3/4"UNC	F10	522	19.29
3"	3.15	8.23	5.87	12.6	4.02	4	M12	1.3	1.58	0.47	3/4"UNC	F10	797	31.53
4"	3.94	9.23	6.73	12.28	4.02	4	M12	1.65	2.13	0.63	1"UNC	F10	1416	51.82

unit:in



8F., No.201, Sec. 2, Tiding Blvd., Neihu District, Taipei City 114, Taiwan R.O.C.
TEL: +886-2-26585800 FAX: +886-2-26582266 / 27997766

[Http://www.haitima.com.tw](http://www.haitima.com.tw)
Email: haitima@seed.net.tw