

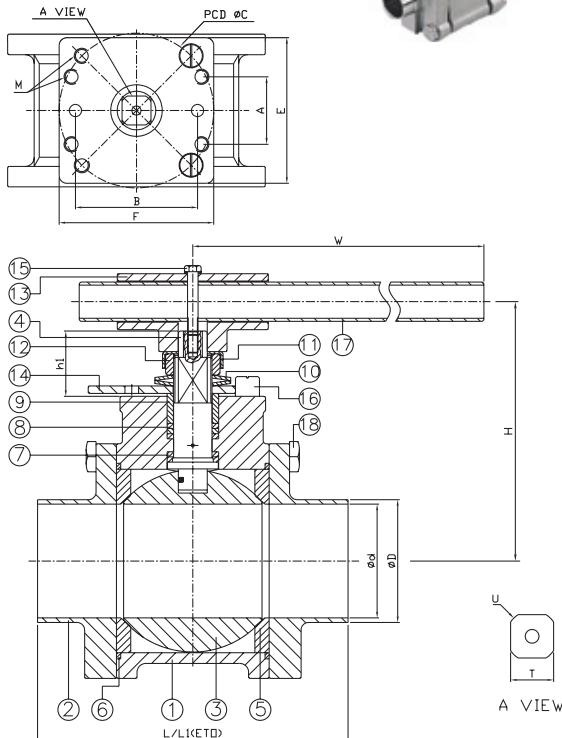


## FEATURES

- Tube port, 2-1/2"~4" (DN65~DN100)
- Body W.P. : 1000 WOG (PN63)
- Tube End W.P. : 200 WOG
- W.T. : -20°C~200°C (-4°F~392°F)
- Investment casting
- Blow-out proof stem
- Live-loading design
- Anti-static device (option)
- Cavity filled seats (option)
- Locking device
- ISO 5211 Mounting pad

### 2013KB-BPE

- Tube end castings have low sulphur content of 0.005-0.017%
- Extended tube end (ETO)



| ITEM | PARTS             | MATERIAL       |
|------|-------------------|----------------|
| 1    | BODY              | ASTM A351-CF3M |
| 2    | CAP               |                |
| 3    | BALL              |                |
| 4    | STEM              | ASTM A276-316L |
| 5    | SEAT              | PTFE / TFM1600 |
| 6    | SEAL              | PTFE           |
| 7    | THRUST WASHER     |                |
| 8    | PACKING           | AISI 304       |
| 9    | GLAND RING        |                |
| 10   | BELLEVILLE WASHER | AISI 301       |
| 11   | LOCKING WASHER    | AISI 304       |
| 12   | STEM NUT          |                |
| 13   | WRENCH BLOCK      |                |
| 14   | STOPPER           |                |
| 15   | BOLT              |                |
| 16   | STOP PIN          |                |
| 17   | HANDLE            |                |
| 18   | BOLT              |                |

| DN  | d    | D     | L     | L1  | H     | W   | h1   | M   | A    | B    | C   | E    | F     | T    | U         | ISO 5211 | Torque (N-M) |
|-----|------|-------|-------|-----|-------|-----|------|-----|------|------|-----|------|-------|------|-----------|----------|--------------|
| 65  | 60.2 | 63.5  | 159   | 185 | 132.1 | 222 | 40.6 | M10 | 32   | 64   | 102 | 70.1 | 85.1  | 14   | M20*2.5   | F10      | 29           |
| 80  | 72.9 | 76.2  | 177.8 | 220 | 165.6 | 349 | 42.7 | M10 | 44.5 | 80.5 | 102 | 96   | 102.1 | 19.1 | 1"-14UNEF | F10      | 35           |
| 100 | 97.3 | 101.6 | 215.9 | 250 | 179.1 | 349 | 42.9 | M10 | 44.5 | 80.5 | 102 | 96   | 102.1 | 19.1 | 1"-14UNEF | F10      | 50           |

unit:mm

| NPS    | d    | D   | L    | L1   | H    | W     | h1   | M   | A    | B    | C    | E    | F    | T    | U         | ISO 5211 | Torque (in-lb) |
|--------|------|-----|------|------|------|-------|------|-----|------|------|------|------|------|------|-----------|----------|----------------|
| 2-1/2" | 2.37 | 2.5 | 6.26 | 7.28 | 5.2  | 8.74  | 1.6  | M10 | 1.26 | 2.52 | 4.02 | 2.76 | 3.35 | 0.55 | M20*2.5   | F10      | 256.7          |
| 3"     | 2.87 | 3   | 7    | 8.66 | 6.52 | 13.74 | 1.68 | M10 | 1.75 | 3.17 | 4.02 | 3.78 | 4.02 | 0.75 | 1"-14UNEF | F10      | 309.8          |
| 4"     | 3.83 | 4   | 8.5  | 9.84 | 7.05 | 13.74 | 1.69 | M10 | 1.75 | 3.17 | 4.02 | 3.78 | 4.02 | 0.75 | 1"-14UNEF | F10      | 442.5          |

unit:in

