



# 3-PC. BUTT WELD END BALL VALVE

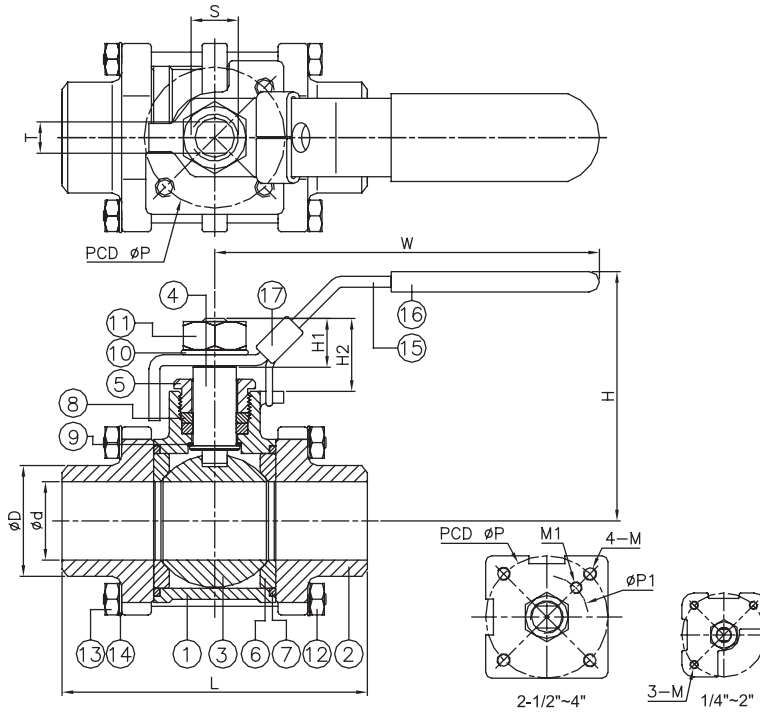
# 2012M



## FEATURES

- Full port, 1/4"~4" (DN8~DN100)
- W.P. : 1000 WOG (PN63)
- W.T. : -20°C~200°C (-4°F~392°F)
- Investment casting
- Blow-out proof stem
- Anti-static device (option)
- Locking device
- ISO 5211 Mounting pad
- **ISO 5211 direct Mounting pad - 2412D (option)**

- Butt weld ends conform to ANSI B16.25 & DIN 3239 part1



ITEM	PARTS	MATERIAL
1	BODY	ASTM A351-CF8M   ASTM A216-WCB
2	CAP	
3	BALL	ASTM A351-CF8M
4	STEM	ASTM A276-316
5	GLAND NUT	AISI 304
6	SEAT	RTFE / PTFE
7	SEAL	PTFE
8	PACKING	
9	THRUST WASHER	AISI 304
10	SPRING WASHER	
11	STEM NUT	
12	BOLT	
13	NUT	AISI 304
14	SPRING WASHER	
15	HANDLE	PVC
16	HANDLE SLEEVE	
17	LOCKING DEVICE	AISI 304

DN	d	D	L	W	H	H1	H2	P	P1	M	M1	T	S	Torque (N-m)
8	8	13.5	64.5	119	56	11	15	36	-	M 5	-	5	5/16"UNC	4
10	12.7	17.5	64.5	119	56	11	15	36	-	M 5	-	5	5/16"UNC	4
15	15	22	66	119	57	11	15	36	-	M 5	-	5	5/16"UNC	4
20	20	27	82	135.5	63	14	19.5	36	-	M 5	-	6.5	3/8"UNC	7
25	25	34	95	158.5	81	15.5	23.5	42	-	M 5	-	8	7/16"UNC	7.5
32	32	42.5	111.2	158.5	87	15.5	20	50	-	M 5	-	8	7/16"UNC	11
40	38	48.5	130.6	188	96	18	26	50	-	M 6	-	9	1/2"UNC	17
50	50	61	151	198	109	18	26	70	-	M 8	-	9	1/2"UNC	45
65	65	77	185	280	133	31	40	102	68.5	M 12	M10	12	3/4"UNC	59
80	80	90	212	320	149	31	38	102	68	M 12	M10	12	3/4"UNC	90
100	100	115	235	312	171	40	53	102	69	M 12	M10	16	1"UNC	160

unit:mm

NPS	d	D	L	W	H	H1	H2	P	P1	M	M1	T	S	Torque (in-lb)
1/4"	0.31	0.53	2.54	4.69	2.2	0.43	0.59	1.42	-	M 5	-	0.2	5/16"UNC	35.4
3/8"	0.5	0.69	2.54	4.69	2.2	0.43	0.59	1.42	-	M 5	-	0.2	5/16"UNC	35.4
1/2"	0.59	0.87	2.6	4.69	2.24	0.43	0.59	1.42	-	M 5	-	0.2	5/16"UNC	35.4
3/4"	0.79	1.06	3.23	5.33	2.48	0.55	0.77	1.42	-	M 5	-	0.26	3/8"UNC	62
1"	0.98	1.34	3.74	6.24	3.19	0.61	0.93	1.65	-	M 5	-	0.31	7/16"UNC	66.4
1-1/4"	1.26	1.67	4.38	6.24	3.43	0.61	0.79	1.97	-	M 5	-	0.31	7/16"UNC	97.4
1-1/2"	1.5	1.91	5.14	7.4	3.78	0.71	1.02	1.97	-	M 6	-	0.35	1/2"UNC	150.5
2"	1.97	2.4	5.94	7.8	4.29	0.71	1.02	2.76	-	M 8	-	0.35	1/2"UNC	398.3
2-1/2"	2.56	3.03	7.28	11.02	5.24	1.22	1.57	4.02	2.7	M 12	M10	0.47	3/4"UNC	522.2
3"	3.15	3.54	8.35	12.6	5.87	1.22	1.5	4.02	2.68	M 12	M10	0.47	3/4"UNC	796.6
4"	3.94	4.53	9.25	12.28	6.73	1.57	2.09	4.02	2.72	M 12	M10	0.63	1"UNC	1416.1

unit:in



8F., No.201, Sec. 2, Tiding Blvd., Neihu District, Taipei City 114, Taiwan R.O.C.  
 TEL : +886-2-2658-5800 FAX : +886-2-2658-2266 / 2799-7766

[Http://www.haitima.com.tw](http://www.haitima.com.tw)  
 E-mail : [haitima@seed.net.tw](mailto:haitima@seed.net.tw)