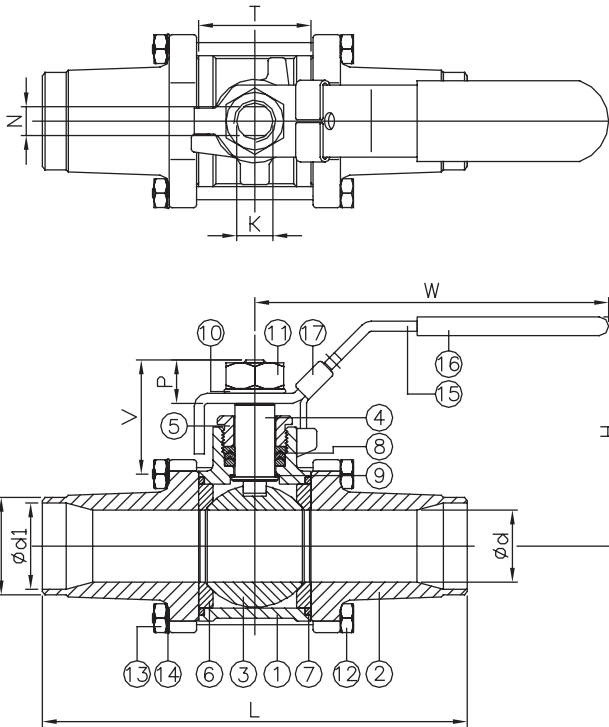




## FEATURES

- Full port, 3/8"~4" (DN10~DN100)
- W.P. : 1000 WOG (PN63)
- W.T. : -20°C~200°C (-4°F~392°F)
- Investment casting
- Blow-out proof stem
- Anti-static device (option)
- Locking device
- ISO 5211 Mounting pad - 2012LM (option)
- ISO 5211 Direct mounting pad - 2012LD (option)
- Butt weld ends conform to ANSI B16.25 & DIN 3239 part1



| ITEM | PARTS          | MATERIAL       |               |
|------|----------------|----------------|---------------|
| 1    | BODY           | ASTM A351-CF8M | ASTM A351-CF3 |
| 2    | CAP            |                |               |
| 3    | BALL           | ASTM A351-CF8M |               |
| 4    | STEM           | ASTM A276-316  |               |
| 5    | GLAND NUT      | AISI 304       |               |
| 6    | SEAT           | PTFE / RTFE    |               |
| 7    | SEAL           |                |               |
| 8    | PACKING        | PTFE           |               |
| 9    | THRUST WASHER  |                |               |
| 10   | SPRING WASHER  |                |               |
| 11   | STEM NUT       |                |               |
| 12   | BOLT           | AISI 304       |               |
| 13   | NUT            |                |               |
| 14   | SPRING WASHER  |                |               |
| 15   | HANDLE         |                |               |
| 16   | HANDLE SLEEVE  | PVC            |               |
| 17   | LOCKING DEVICE | AISI 304       |               |

| DN  | d    | d1   | D    | L   | H   | W     | T    | N   | V    | P    | K        | Torque (N-M) |
|-----|------|------|------|-----|-----|-------|------|-----|------|------|----------|--------------|
| 10  | 12.7 | 14   | 17.2 | 225 | 54  | 102   | 21.5 | 5   | 29.7 | 10.5 | 5/16"UNC | -            |
| 15  | 15   | 17.3 | 21.3 | 225 | 57  | 102   | 24   | 5   | 30.1 | 10.5 | 5/16"UNC | 2.5          |
| 20  | 20   | 22.5 | 26.5 | 225 | 66  | 120.5 | 28   | 6.5 | 36.5 | 13.5 | 3/8"UNC  | 4.3          |
| 25  | 25   | 28.3 | 33.5 | 245 | 76  | 158.5 | 35   | 8   | 40.6 | 15.5 | 7/16"UNC | 4.6          |
| 32  | 32   | 37.2 | 42.4 | 255 | 81  | 158.5 | 45   | 8   | 41.8 | 15.5 | 7/16"UNC | 7.4          |
| 40  | 38   | 43.1 | 48.3 | 260 | 98  | 188   | 55   | 9   | 48.5 | 17.5 | 1/2"W    | 11.4         |
| 50  | 50   | 53.3 | 60.3 | 275 | 106 | 188   | 66   | 9   | 49.4 | 17.5 | 1/2"W    | 12.2         |
| 65  | 65   | 69   | 76   | 334 | 138 | 245   | 86   | 12  | 72.1 | 33   | 3/4"UNC  | 32.3         |
| 80  | 76   | 82   | 90   | 354 | 154 | 245   | 100  | 12  | 65.6 | 33   | 3/4"UNC  | 46.7         |
| 100 | 100  | 106  | 115  | 365 | 178 | 320   | 125  | 16  | 78.2 | 39   | 1"UNC    | 92           |

unit:mm

| NPS    | d    | d1   | D    | L     | H    | W    | T    | N    | V    | P    | K        | Torque (in-lb) |
|--------|------|------|------|-------|------|------|------|------|------|------|----------|----------------|
| 3/8"   | 0.5  | 0.55 | 0.68 | 8.86  | 2.13 | 4.02 | 0.85 | 0.2  | 1.17 | 0.41 | 5/16"UNC | -              |
| 1/2"   | 0.59 | 0.68 | 0.84 | 8.86  | 2.24 | 4.02 | 0.94 | 0.2  | 1.19 | 0.41 | 5/16"UNC | 22.1           |
| 3/4"   | 0.79 | 0.89 | 1.04 | 8.86  | 2.6  | 4.74 | 1.1  | 0.26 | 1.44 | 0.53 | 3/8"UNC  | 38.1           |
| 1"     | 0.98 | 1.11 | 1.32 | 9.65  | 2.99 | 6.24 | 1.38 | 0.31 | 1.6  | 0.61 | 7/16"UNC | 40.7           |
| 1-1/4" | 1.26 | 1.46 | 1.67 | 10.04 | 3.19 | 6.24 | 1.77 | 0.31 | 1.65 | 0.61 | 7/16"UNC | 65.5           |
| 1-1/2" | 1.5  | 1.7  | 1.9  | 10.24 | 3.86 | 7.4  | 2.17 | 0.35 | 1.91 | 0.69 | 1/2"W    | 100.9          |
| 2"     | 1.97 | 2.1  | 2.37 | 10.83 | 4.17 | 7.4  | 2.6  | 0.35 | 1.94 | 0.69 | 1/2"W    | 108            |
| 2-1/2" | 2.56 | 2.72 | 2.99 | 13.15 | 5.43 | 9.65 | 3.39 | 0.47 | 2.84 | 1.3  | 3/4"UNC  | 285.9          |
| 3"     | 2.99 | 3.23 | 3.54 | 13.94 | 6.06 | 9.65 | 3.94 | 0.47 | 2.58 | 1.3  | 3/4"UNC  | 413.3          |
| 4"     | 3.94 | 4.17 | 4.53 | 14.37 | 7.01 | 12.6 | 4.92 | 0.63 | 3.08 | 1.54 | 1"UNC    | 814.3          |

unit:in

