



3-PC. BUTT WELD END BALL VALVE

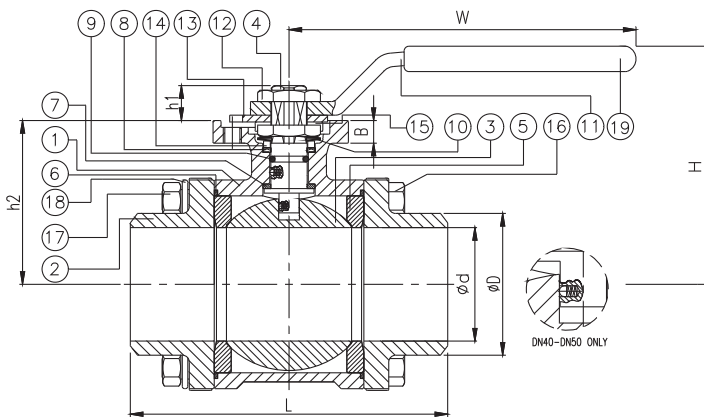
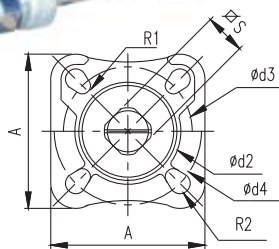
2012D



FEATURES

- Full port, 1/4"~2" (DN8~DN50)
- W.P. : 1000 WOG (PN63)
- W.T. : -20°C~200°C (-4°F~392°F)
- Investment casting
- Blow-out proof stem
- Live-loading device
- Anti-static device
- Locking device
- ISO 5211 Direct mounting pad
- **Automation accessories (option)**

- Butt weld ends conform to ANSI B16.25 & DIN 3239 part1



ITEM	PARTS	MATERIAL	
1	BODY	ASTM A351-CF8M	ASTM A216-WCB
2	CAP		
3	BALL	ASTM A351-CF8M	
4	STEM	ASTM A276-316	
5	SEAT	PTFE / RTFE	
6	SEAL	PTFE	
7	THRUST WASHER		
8	PACKING	VITON	
9	O-RING		
10	BELLEVILLE WASHER	AISI 301	
11	HANDLE	ASTM A351-CF8	
12	STEM NUT	AISI 304	
13	LOCKING DEVICE		
14	GLAND RING		
15	LOCKING WASHER		
16	BOLT		
17	NUT		
18	SPRING WASHER		
19	HANDLE SLEEVE		

DN	d	D	W	H	L	ISO 5211	A	B	S	h1	h2	d2	d3	d4	R1	R2	Torque (N-M)	
																	Breakaway	Action
8	8	14	120	63	66	F03/F04	42	6	9	8	40.3	31	36	42	2.75	2.75	3.64	2.47
10	10	18	120	63	66					8	40.3							
15	15	22	120	63	66					8	40.3							
20	20	28	120	69	75	F04/F05	50	7.5	11	9	45	35.5	42	50	2.75	3.5	6.11	4
25	25	34	148	76	85					10	47.5							
32	32	43	148	84	100					11	55.5							
40	38	49	178	99	140	F05/F07	70	8.5	14	14	65.3	56	50	70	3.5	4.5	22	14
50	50	61	178	108	150					14	73							

unit:mm

NPS	d	D	W	H	L	ISO 5211	A	B	S	h1	h2	d2	d3	d4	R1	R2	Torque (in-lb)	
																	Breakaway	Action
1/4"	0.31	0.55	4.72	2.48	2.6	F03/F04	1.65	0.24	0.35	0.31	1.59	1.22	1.42	1.65	0.11	0.11	32.22	21.86
3/8"	0.39	0.71	4.72	2.48	2.6					0.31	1.59							
1/2"	0.59	0.87	4.72	2.48	2.6					0.31	1.59							
3/4"	0.79	1.1	4.72	2.72	2.95	F04/F05	1.97	0.3	0.43	0.35	1.77	1.4	1.65	1.97	0.11	0.14	54.08	35.4
1"	0.98	1.34	5.83	2.99	3.35					0.39	1.87							
1-1/4"	1.26	1.69	5.83	3.31	3.94					0.43	2.19							
1-1/2"	1.5	1.93	7.01	3.9	5.51	F05/F07	2.76	0.33	0.55	2.57	2.87	2.2	1.97	2.76	0.14	0.18	194.72	123.91
2"	1.97	2.4	7.01	4.25	5.91					2.57	2.87							

unit:in



8F., No.201, Sec. 2, Tiding Blvd., Neihs District, Taipei City 114, Taiwan R.O.C.
 TEL: +886-2-26585800 FAX: +886-2-26582266 / 27997766

[Http://www.haitima.com.tw](http://www.haitima.com.tw)
 Email: haitima@seed.net.tw