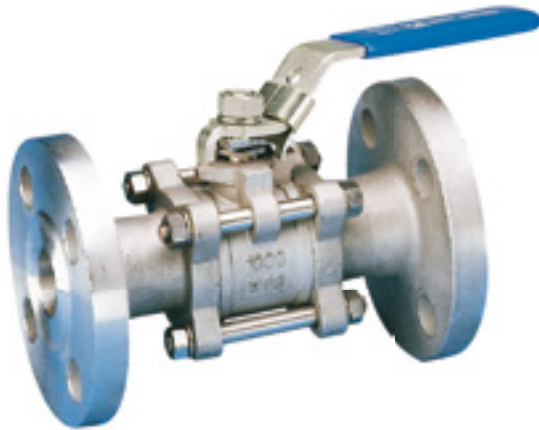




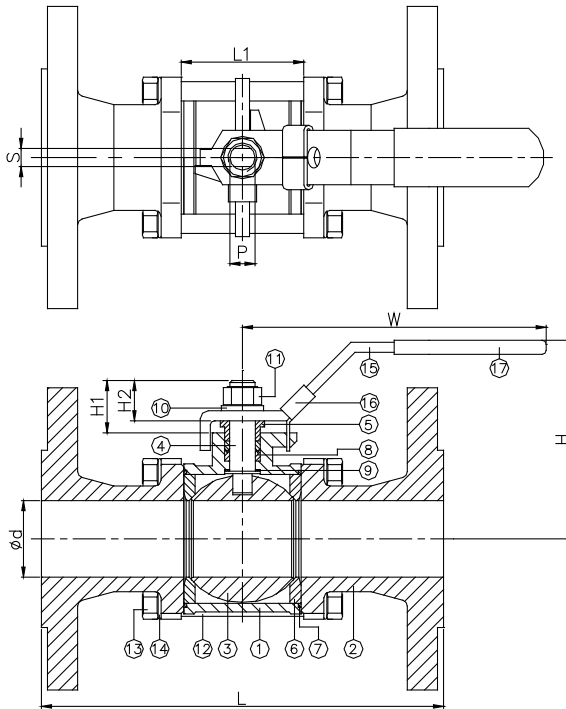
# 3-PC. FLANGED END BALL VALVE

# 2010

## FEATURES



- Full port, 1/2"~4" (DN15~DN100)
- Body W.P. : 1000 WOG (PN63)
- Flange End W.P. : PN40
- W.T. : -20°C~200°C (-4°F~392°F)
- Investment casting
- Blow-out proof stem
- Anti-static device (option)
- Locking device
- ISO 5211 Mounting pad - 2010M (option)
- ISO 5211 Direct mounting pad - 2010D (option)



- Flange dimension: DIN 2501 - PN40
- Face to face: DIN 3202 - F1

ITEM	PARTS	MATERIAL	
1	BODY	ASTM A351-CF8M	ASTM A216-WCB
2	CAP		
3	BALL	ASTM A351-CF8M	
4	STEM	ASTM A276-316	
5	GLAND NUT	AISI 304	
6	SEAT	PTFE / RTFE	
7	SEAL	PTFE	
8	PACKING		
9	THRUST WASHER	AISI 304	
10	SPRING WASHER		
11	STEM NUT		
12	BOLT		
13	NUT	STAINLESS STEEL	
14	SPRING WASHER		
15	HANDLE	PVC	
16	LOCKING DEVICE		
17	HANDLE SLEEVE		

DN	d	L	L1	H	H1	H2	W	S	P
15	15	130	24	83	16.2	10.5	152	5	5/16"W
20	20	150	28	92	20.7	13.5	152	6.5	3/8"W
25	25	160	35	86	24.7	15.5	182	8	7/16"W
32	32	180	45	91	21.7	15.5	182	8	7/16"W
40	38	200	55	112	26.7	17.5	214	9	1/2"W
50	50	230	66	115	26.7	17.5	214	9	1/2"W
65	65	290	86	172	42.2	33	314	12	3/4"W
80	80	310	100	188	40.2	33	314	12	3/4"W
100	100	350	125	207	56	42	339	12	1"W

unit:mm

NPS	d	L	L1	H	H1	H2	W	S	P
1/2"	0.59	5.12	0.94	3.27	0.64	0.41	5.98	0.2	5/16"W
3/4"	0.79	5.91	1.1	3.62	0.81	0.53	5.98	0.26	3/8"W
1"	0.98	6.3	1.38	3.39	0.97	0.61	7.17	0.31	7/16"W
1-1/4"	1.26	7.09	1.77	3.58	0.85	0.61	7.17	0.31	7/16"W
1-1/2"	1.5	7.87	2.17	4.41	1.05	0.69	8.43	0.35	1/2"W
2"	1.97	9.06	2.6	4.53	1.05	0.69	8.43	0.35	1/2"W
2-1/2"	2.56	11.42	3.39	6.77	1.66	1.3	12.36	0.47	3/4"W
3"	3.15	12.2	3.94	7.4	1.58	1.3	12.36	0.47	3/4"W
4"	3.94	13.78	4.92	8.15	2.2	1.65	13.35	0.47	1"W

unit:in



8F, No.201, Sec. 2, Tiding Blvd., Neihu District, Taipei City 114, Taiwan R.O.C.  
 TEL: +886-2-2658-5800 FAX: +886-2-2658-2266 / 2799-7766

E-mail : [haitima@seed.net.tw](mailto:haitima@seed.net.tw)  
<http://www.haitima.com.tw>