



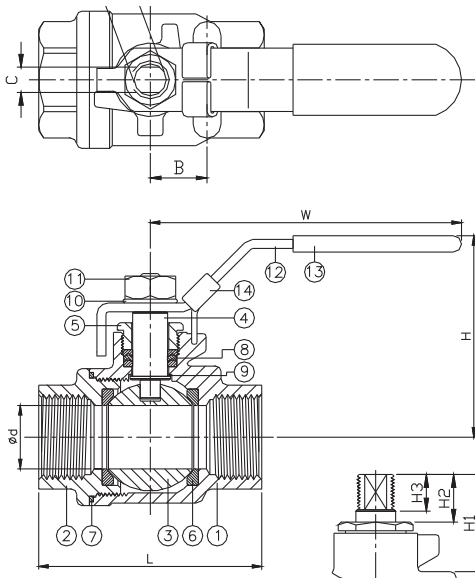
# 2-PC. SCREWED END BALL VALVE

# 2006



## FEATURES

- Full port
- W.P. : 1/4"~1" - 2000 WOG(PN150)  
1-1/4"~2" - 1500 WOG(PN100)  
2-1/2"~4" - 1000 WOG(PN63)
- W.T. : -20°C~200°C (-4°F~392°F)
- Investment casting
- Blow-out proof stem
- Anti-static device (option)
- Locking device
- Tapped & drilled mounting pad (option)
- Length conform to DIN 3202/4-M3  
- 2006M3 (option)
- Thread type : ASME B1.20.1 (NPT)  
DIN2999 & BS21  
ISO228/1 & ISO7/1



ITEM	PARTS	MATERIAL	
1	BODY	ASTM A351-CF8M	ASTM A216-WCB
2	CAP		
3	BALL	ASTM A351-CF8M	
4	STEM	ASTM A276-316	
5	GLAND NUT	AISI 304	
6	SEAT	PTFE / RTFE	
7	SEAL	PTFE	
8	PACKING	PTFE / RTFE	
9	THRUST WASHER	PTFE	
10	SPRING WASHER	AISI 304	
11	NUT		
12	HANDLE	PVC	
13	HANDLE SLEEVE		
14	LOCKING DEVICE	AISI 304	

DN	d	L	H	W	B	C	H1	H2	H3	T	Torque (N-m)	Weight (kg)
8	11.6	60.5	50	102	14	5	32.5	12.5	10.5	5/16"W	4.07	0.26
10	13	60.5	50	102	14	5	32.5	12.5	10.5	5/16"W	4.07	0.28
15	15	64	50	102	14	5	32.5	12.5	10.5	5/16"W	4.41	0.3
20	20	77	62	120	22	6.5	40.5	16	13.5	3/8"W	5.88	0.55
25	25	90	75.5	159	22	8	50	18	15.5	7/16"W	7.35	0.84
32	32	100	81	159	24	8	49	17	15.5	7/16"W	8.82	1.26
40	38	118	98	188	24	9	60	19	17.5	1/2"W	13.2	2
50	50	138	108	188	24	9	62	20	17.5	1/2"W	16.2	3.13
65	65	166.5	136	245	35	12	79	31	30.5	3/4"W	44.1	6
80	80	193	147	245	35	12	78.5	31	30.5	3/4"W	46.6	10.1
100	100	260	183	320	50	16	99	53	42	1"W	-	-

unit:mm

NPS	d	L	H	W	B	C	H1	H2	H3	T	Torque (in-lb)	Weight (lb)
1/4"	0.46	2.38	1.97	4.02	0.55	0.2	1.28	0.49	0.41	5/16"W	36.02	0.57
3/8"	0.51	2.38	1.97	4.02	0.55	0.2	1.28	0.49	0.41	5/16"W	36.02	0.62
1/2"	0.59	2.52	1.97	4.02	0.55	0.2	1.28	0.49	0.41	5/16"W	39.03	0.66
3/4"	0.79	3.03	2.44	4.72	0.87	0.26	1.59	0.63	0.53	3/8"W	52.04	1.21
1"	0.98	3.54	2.97	6.26	0.87	0.31	1.97	0.71	0.61	7/16"W	65.05	1.85
1-1/4"	1.26	3.94	3.19	6.26	0.94	0.31	1.93	0.67	0.61	7/16"W	78.06	2.78
1-1/2"	1.5	4.65	3.86	7.4	0.94	0.35	2.36	0.75	0.69	1/2"W	116.83	4.41
2"	1.97	5.43	4.25	7.4	0.94	0.35	2.44	0.79	0.69	1/2"W	143.38	6.9
2-1/2"	2.56	6.56	5.35	9.65	1.38	0.47	3.11	1.22	1.2	3/4"W	390.32	13.23
3"	3.15	7.6	5.79	9.65	1.38	0.47	3.09	1.22	1.2	3/4"W	412.44	22.27
4"	3.94	10.24	7.2	12.6	1.97	0.63	3.9	2.09	1.65	1"W	-	-

unit:in



8F., No.201, Sec. 2, Tiding Blvd., Neihu District, Taipei City 114, Taiwan R.O.C.  
 TEL: +886-2-26585800 FAX: +886-2-26582266 / 27997766

[Http://www.haitima.com.tw](http://www.haitima.com.tw)  
 Email: [haitima@seed.net.tw](mailto:haitima@seed.net.tw)