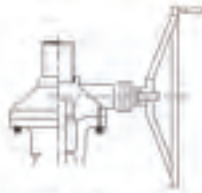
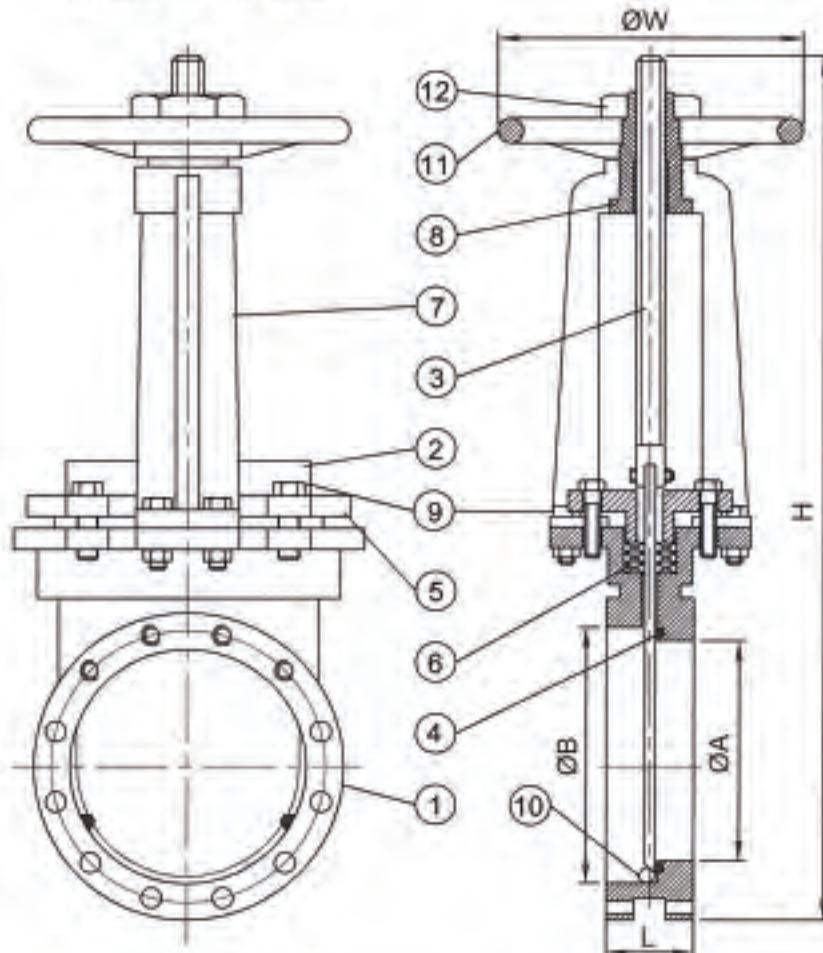


MANUAL TYPE CAST IRON KNIFE GATE VALVE



Available With Gear Operator



2092-01

CONNECTION RATING:
JIS 5K JIS 10K JIS7.5K
ANSI 150#
DIN PN10 PN16



MSS-SP81 TEST STANDARD:
BODY TEST: 11kg/cm² (WATER)
SEAT TEST: 2.8kg/cm² (WATER)
LEAKAGE: 4 cc/per in.min.

DIMENSION TABLE : MM

NO.	SUBJECT	MATERIAL
12	NUT	CAST IRON
11	HAND WHEEL	CAST IRON
10	PAWLS	CAST IRON
9	BOLT NUT	MILD STEEL
8	YOKE SLEEVE	CAST BRONZE, FCD
7	YOKE	FC FCD
6	GLAND PACKING	NON-ASB
5	GLAND	CAST IRON
4	SEAT	TEFLON, METAL
3	STEM	SUS410 '304 '316
2	PLATE	SUS304 '316
1	BODY	FC FCD

(FOR REFERENCE ONLY)

SIZE	L	ØA	ØB	W	H
2"	55	42	64	190	405
2-1/2"	55	57	80	190	420
3"	55	72	95	190	460
4"	55	92	114	220	520
5"	60	116	141	290	615
6"	60	138	161	290	685
8"	70	192	213	350	850
10"	75	232	261	350	1000
12"	80	280	315	400	1110
14"	80	345	376	400	1200
16"	90	395	425	500	1410
18"	95	445	480	500	1570
20"	120	490	520	500	1700
24"	120	590	630	500	1970

(FOR REFERENCE ONLY)

MATERIAL:

	BODY	PLATE	SEAT	GLAND-PACKING
MATERIAL	FCD, FC	SUS304	TEFLON	NON-ASB+PTFE
	WCB	SUS316	METAL	TEFLON
		SUS304L	VITON	NON ASBESTOS
		SUS316L	EPDM	

TEMPERATURE:

MATERIAL	TEM. RANGE
SILICON	-20° ~ 150°C
VITON	-20° ~ 250°C
TEFLON	-30° ~ 150°C
NON ASBESTOS	-50° ~ 550°C